

# qikFIT port



QIKFIT PORT has been designed to provide a low-profile surface power / data / AV solution for commercial spaces. Quick to install, QIKFIT PORT is designed to fit an industry standard Ø80mm aperture cutout.

QIKFIT PORT can be fitted with any two QF5 TUF / data / AV modules or a single QF10 ARC wireless smartphone charging module.

When fitted with TUF-R HP USB charging modules, QIKFIT PORT will power up to four devices, including two laptops.

TUF-R HP modules are powered by a PSU (power supply unit) or a QIKPAC battery discreetly fitted under the surface. Connect via a GST08 power cable, 3 pin plug or JCoupler.

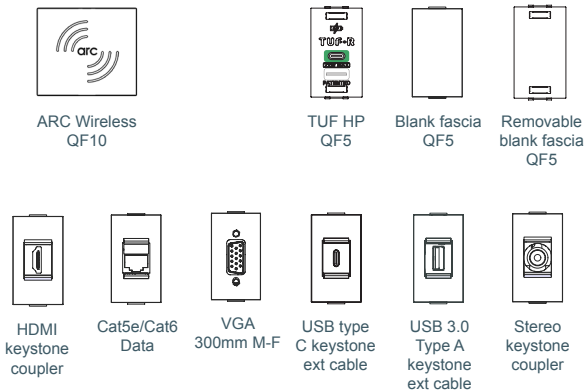
QIKFIT PORT fitted with an ARC wireless charging module.



QIKFIT PORT fitted with 2 QF5 TUF-R HP USB laptop and smartphone charging modules.

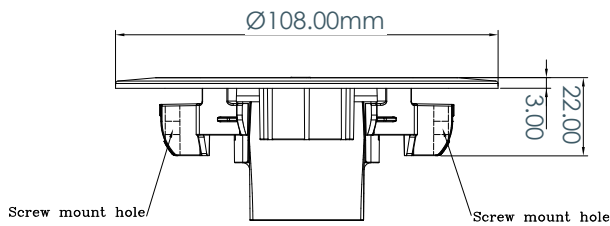
# qikFIT port TECHNICAL

## COMMON COMPONENTS



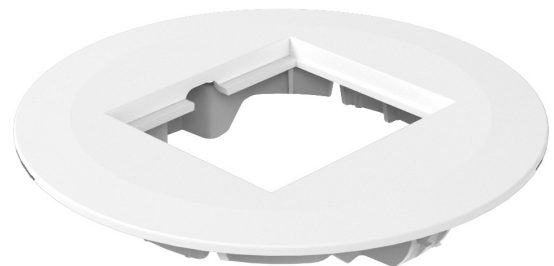
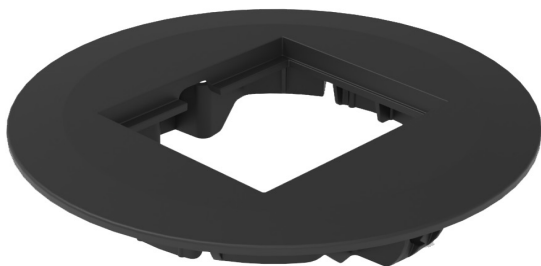
Choose two options from the QF5 range of data / AV, TUF USB charging modules, or a QF10 ARC wireless phone charging module. Other data / AV options available on request.

## QIKFIT PORT DIMENSIONS



## INSTALLATION

QIKFIT PORT fits into a standard Ø80mm grommet hole and is securely held in place by two screws. QF05 modules come with built-in retaining clips that click into QIKFIT PORT for easy installation.



## FEATURES

### Configuration:

QIKFIT PORT is compatible with the following QF5 modules:

- TUF-R HP USB laptop, tablet and smartphone charging\*
- QF10 ARC wireless 15W fast charging module
- HDMI keystone coupler
- 3.5mm stereo keystone coupler
- Cat5e/Cat6 data
- VGA 300mm M-F
- USB type C or USB 3.0 Type A keystone ext cable
- Blank fascia / removeable blank fascia

\*TUF-R HP modules are powered by a PSU (power supply unit) or a QIKPAC battery discreetly fitted under the surface. Connect via a GST08 power cable, 3 pin plug or J Coupler.

### Construction

High-strength and flame retardant polycarbonate.

### Colours

Black or White (RAL9003)

### Quality and Testing:

QIKFIT PORT is manufactured using quality controlled components and practices and if ordered preconfigured, is 100% tested before dispatch:

- Visual: Configuration and appearance.
- USB charger: Output voltage and resistance
- Data and AV: All sockets continuity tested with batch performance testing.

# qikFIT port TECHNICAL

## TUF-R HP QF5 SPECIFICATIONS

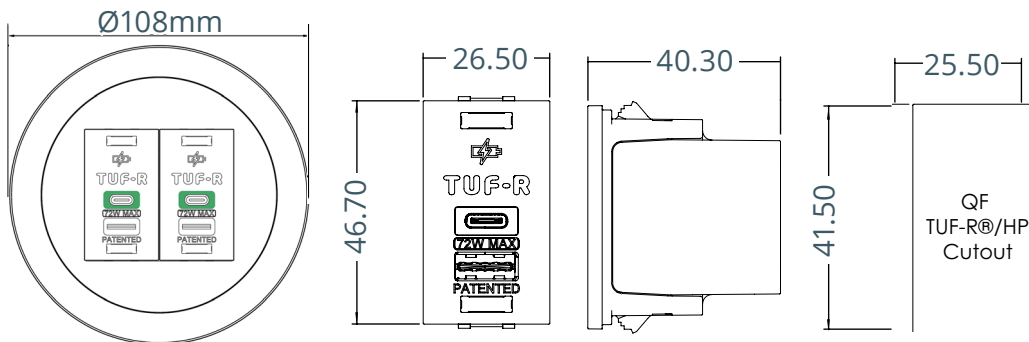
USB Charging Outlets	1 x Type A Female 1 x Type C Female
Input Connection	1x GST08 Male
Output Voltages and Currents	<b>TYPE C:</b> MAX 60W 20V/3A, 15V/3A, 9V/3A, 5V/3A (PD3.0) QC 2/3.0 5V/3A, 9V/2A, 12V/1.5A  <b>TYPE A:</b> MAX 12W 5V / 2.4A IDR BC1.2, Apple 12W Mode, Samsung Fast Charge
Input Voltage	24 – 30V DC
Rated Total Output Power	72 W MAX

USB Connector	Min. Insertions – 10,000 for Type A, 10,000 for Type C
Over Current Protection	Yes, Digital Control at 3.3A - Auto Reset with LED Flash
Short Circuit Protection	Yes, Digital Control at 3.3A - Auto Reset
Over Temperature Protection	Auto Power Reduction to PD 45W Mode 20V/2.25A, 15V/3A, 9V/3A, 5V/3A
Rated Operating Temperature	0° TO 25°C
Standards	IEC 62368-1 : 2018 (safety) EN61204 : 2018 (EMC)
Field Replaceable	Yes when in 42mm Canister and QF5 solutions

TUF modules are safe and designed for public spaces. No data transfer is possible as TUF has no external data connections or the ability to store enough code to put malware on a device.

TUF-R and QF30 PSU modules are designed and intended for commercial use.

## TUF-R HP QF5 DIMENSIONS\*



\*TUF-R modules must be paired with a PSU (power supply) module and a GST08 cable or OEs QIKPAC DC Solution.

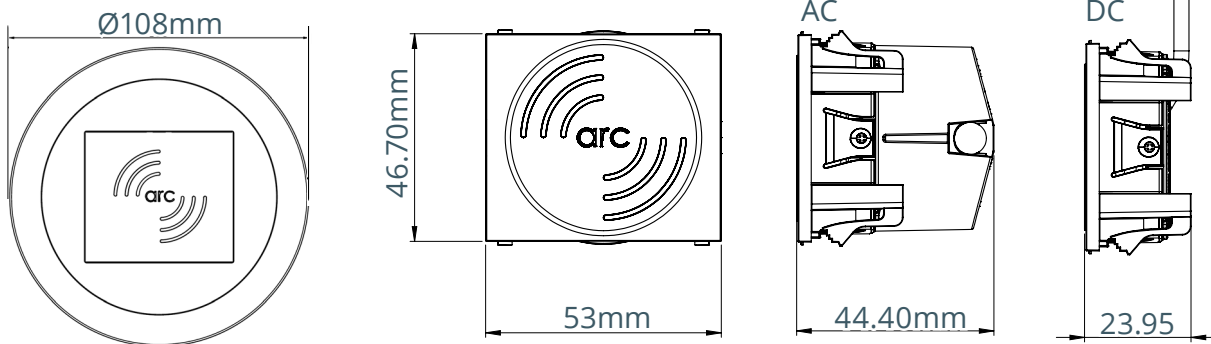


# qikFIT port TECHNICAL

## ARC WIRELESS QF10 SPECIFICATIONS

Output Power	15W (DC5V 1A / 9V 1.1A), 15W EPP, 10W Samsung, 7.5W, 5W BPP
Input Power (DC Version)	12 - 30V Animate Range Compatible
Input Power (Mains Version)	100-240 VAC, 0.5A
Standby Power	0.45 W
Size	Ø108mm diameter.
Surface Thickness	3-25mm
Certification	IEC 62368-1 (Safety), EN 301 489-1 (EMC), EN 303 417 (Radio), EN62311 (Health), ROHS
Housing Material	Polycarbonate and TPU
Available Colour	Black or White with grey imprint

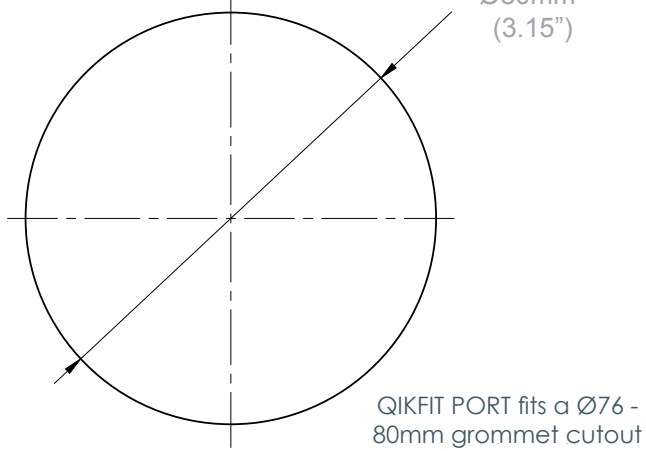
## ARC WIRELESS QF10 DIMENSIONS



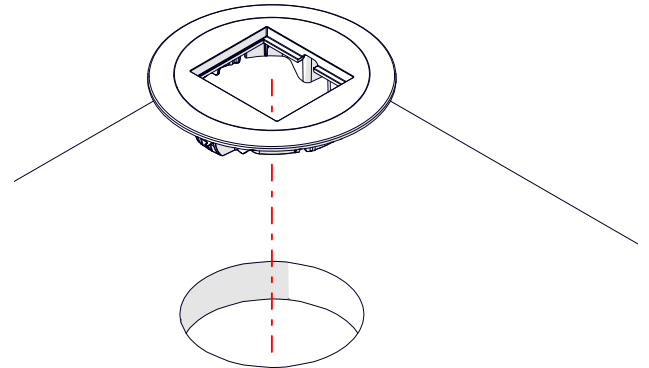
PORT ARC wireless smartphone charger

# qikFIT port INSTALLATION

## Cutout Dimensions



- 1 Place QF PORT into 80mm\* (3.15") grommet hole

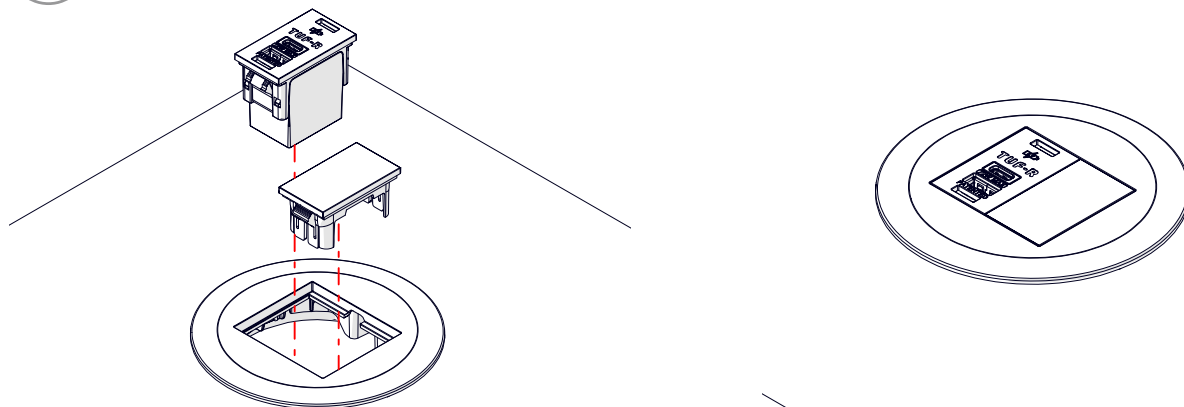


- 2 Secure in place using screws



\*Ensure screws are suitable for the surface being mounted to, OE accept no responsibility for damaged surfaces if the screws used are not suitable

- 3 Clip chosen QF5 fascias\* into place



\*Compatible QF5 fascias can be viewed on the PORT web page