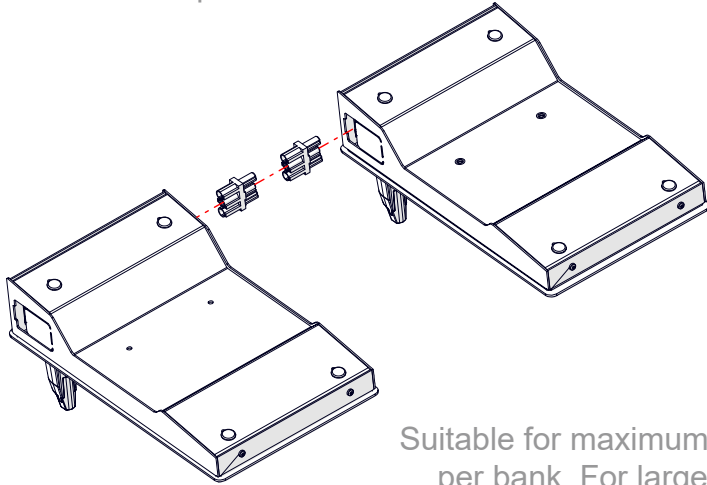
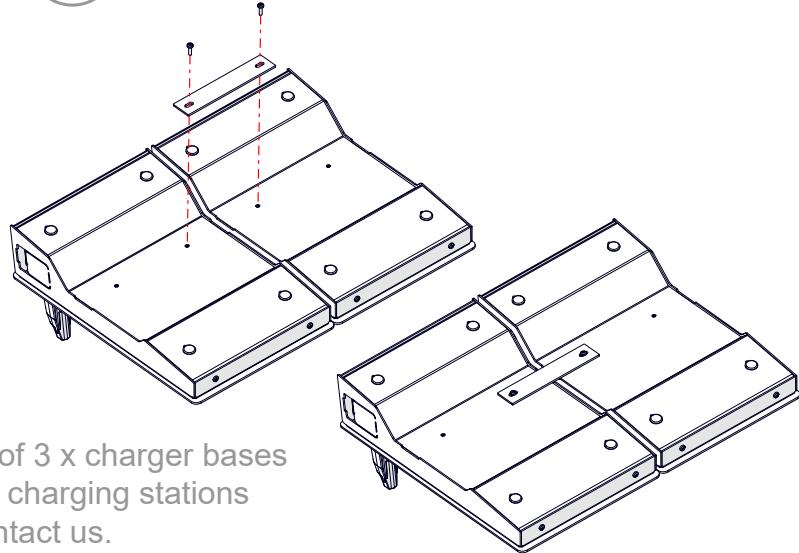




1 Align GST adaptor blocks with internal GST connectors in QIKPAC charger base and click in place.

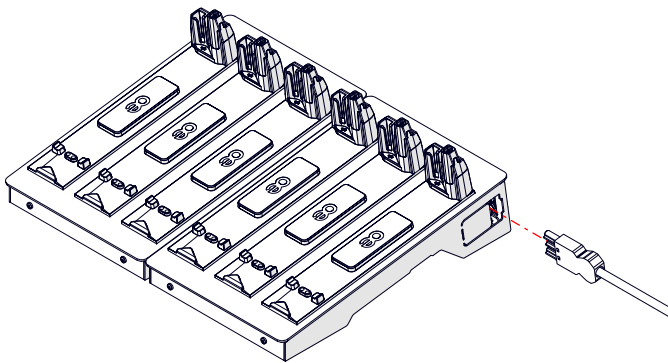


2 Align linking plate with both charger bases and secure using screws provided

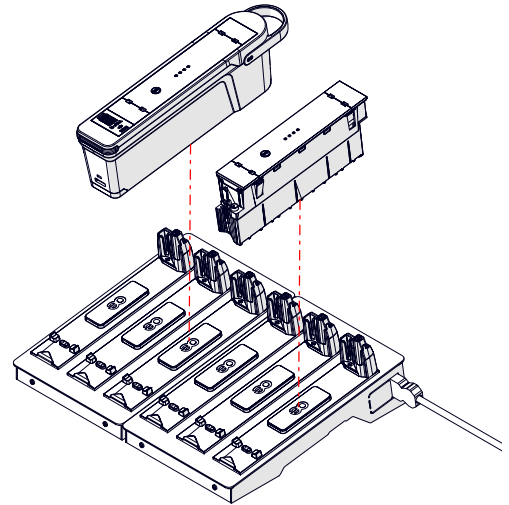


Suitable for maximum of 3 x charger bases per bank. For larger charging stations please contact us.

3 Fit starter cable



4 Place QIKPAC/QIKPAC CARRY modules on charger base



5

