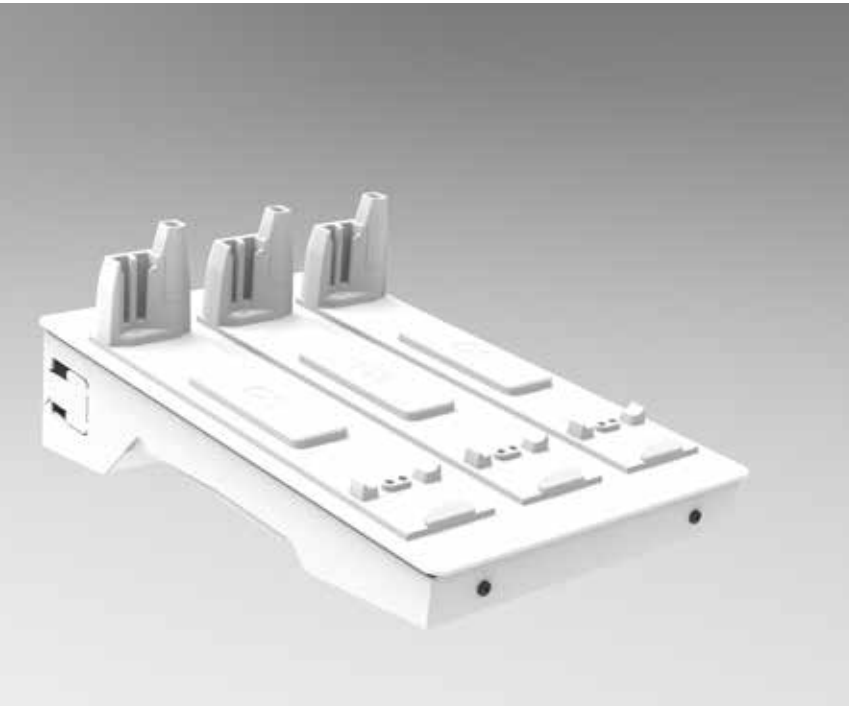


# QIKPAC Charger Base



QIKPAC charger base with its built in QF30 PSU is a sturdy and easy to use charging point for our QIKPAC battery and/or QIKPAC CARRY Power banks.

QIKPAC charger base can be freestanding or attached to suitable horizontal or angled surfaces.

Simply connect a QIKPAC charger base to mains AC with an OE GST18 starter cable and charge up to 3 QIKPAC Batteries and/or QIKPAC CARRY's at the same time.

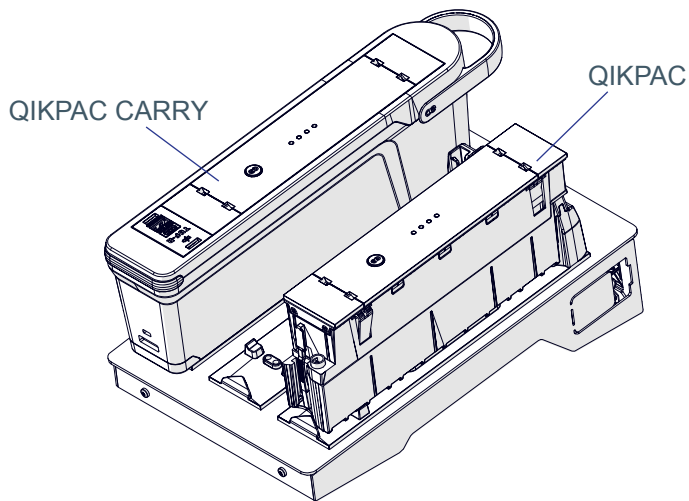
QIKPAC charger bases have both GST18 input and output connectors to allow multiple units to be linked and supplied from a single OE GST18 starter cable.

## USPs

- Charge multiple QIKPAC/QIKPAC CARRY
- Freestanding or fixed installation
- Daisy Chain AC power option



# technical



## Construction:

Powder coated steel frame with high strength fire retardant polycarbonate QIKPAC charging shoes

## Colours:

Black or white

## AC Power Connectors:

GST18 male power input  
GST18 female power output

## Quality & Testing:

All QIKPAC charger bases are manufactured using ISO9001 quality controlled components and practices and are 100% tested before dispatch.

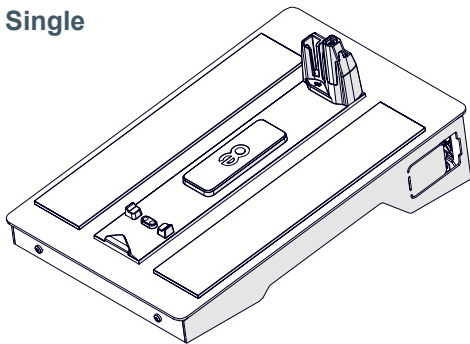
## CE/UKCA Marking:

QIKPAC charger base is CE and UKCA marked by OE Electrics as complying with:

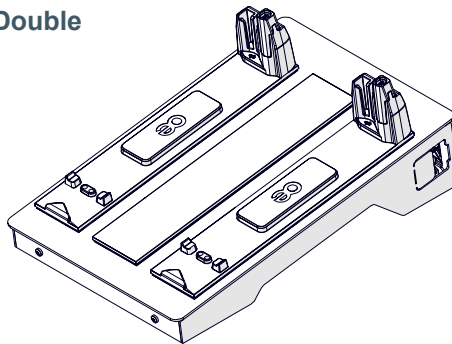
- Electromagnetic Compatibility Directive 2014/30/EU
- Low Voltage Equipment Directive 2014/35/EU
- ROHS Directives 2011/65/EU and 2015/863/EU and equivalent UK regulations

Charging Times - using QIKPAC Charger Base	
1-2 batteries	5 - 8 hours
3 batteries	9 - 11 hours

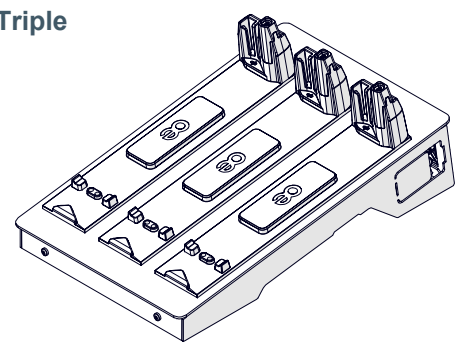
## Single



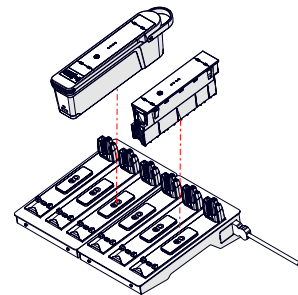
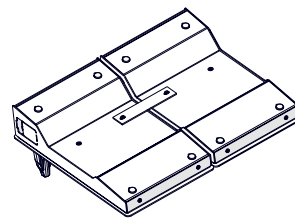
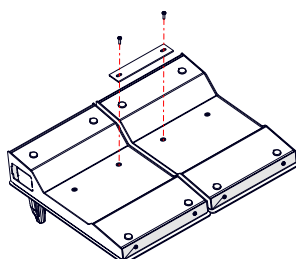
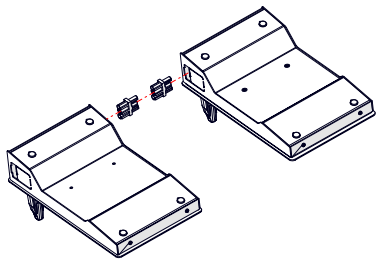
## Double



## Triple



## Interconnecting bases (images how underside of Charger Base)



## Dimensions

