

QikFit TUF^{25W}

The QikFit TUF^{25W}A+C USB charging module, means that QikFit system users do not have to accept second best when it comes to USB charging of their mobile devices.

The provision of a USB Type C charging port with up to 3A output into compatible devices ensures future proofing of your QikFit investment whilst the USB Type A port with up to 2.5A output will satisfy users of older devices.

Both safety and efficiency is guaranteed with QikFit TUF^{25W} due to its advanced no compromise circuitry incorporating full overload and short circuit protection, plus comprehensive safety and EMC certifications.



USPs

- USB Type A and Type C ports
- Integrated panel mount clips
- Safety and EMC certified

technical

QIKFIT TUF^{25W} is for Charging only; no data transfer is available as no connection to a computer is provided.

USB charging outlets	1 x Type A Female 1 x Type C Female
Charging Current:	Max 5A in total
AC voltage range	240V AC 50/60Hz
AC input current	Max 0.6amp at full load <0.5mA at no load
Rated total Output	25W max
Output voltage	5V DC +/- 5%
Standby Power use	<0.05W
Life expectancy	Min 5 years in normal use
USB connector	Gold Plated - min 5000 insertions
Over current protection	Yes - self regulating
Short Circuit protection	Yes - Auto reset
Operating Temperature	0° to 30°C
Max relative humidity	85% RH

*Insertion lifetime refers to USB contacts only

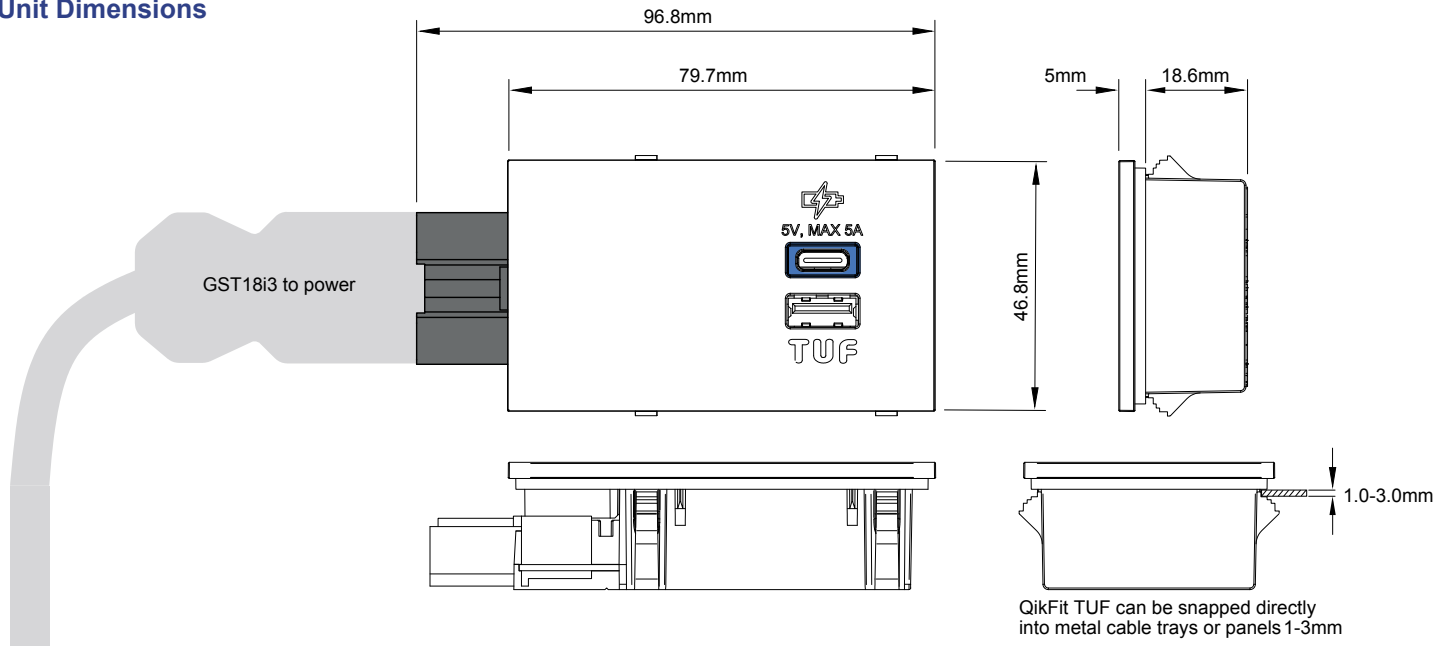
Compatibility

Apple iPhone/iPad	Yes (including 2.4A)
Apple MacBook Laptop	Yes (Type C 3A)
Google Pixel Phone + Laptop	Yes (Type C 3A)
Android (USB BC1.2)	Yes
Samsung Tablet charging	Yes
Blackberry	Yes

Additional features

- Dynamic Voltage Adjustment to compensate for Cable Voltage Loss
- Protection from external surges (3.5kA for 8/20us Pulse)
- Blue LED backlight which is visible through the USB apertures

Unit Dimensions



Configuration

1 x Type A & 1 x Type C USB charging sockets. GST18i3 male power in connector

Construction

Fascia -	V0 Polycarbonate
Back -	V0 Polycarbonate

Integral Fixings

Panel mount clips for surfaces 1mm - 3mm thick

Colours

Fascia -	Black, or White RAL 9016
----------	--------------------------

Quality & Testing

All Qikfit TUF^{25W} units are manufactured using ISO9001 quality controlled components and practices and are 100% tested before dispatch.

- Visual: Configuration and appearance.
- USB charger: Output voltage and resistance

CE marking

QikFit TUF^{25W} is CE marked by OE Electrics as complying with:

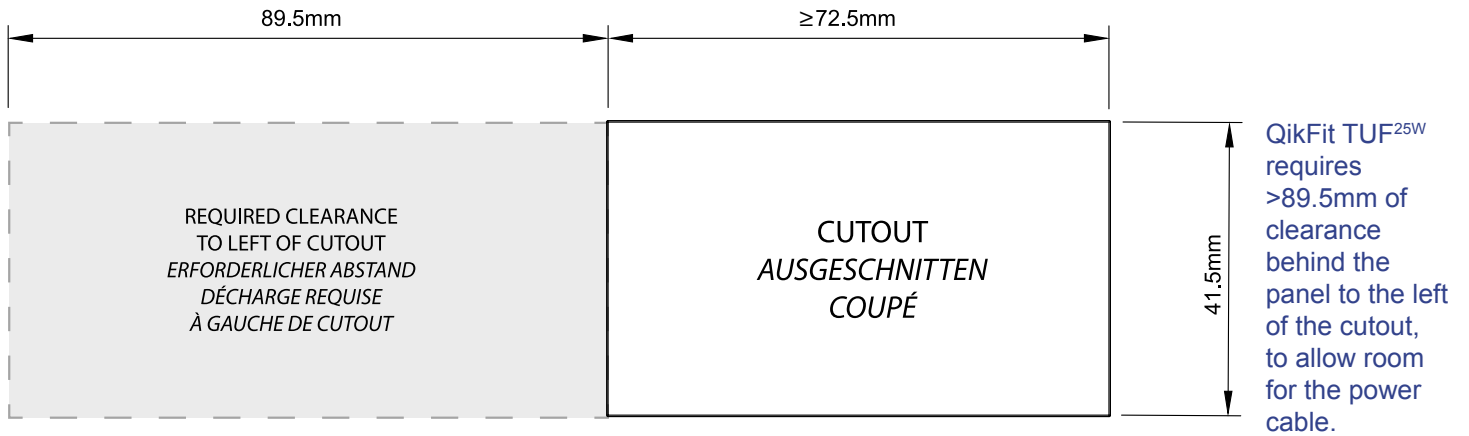
- Low voltage directive
- EMC Directive
- RoHs Directive

Certifications

Safety -	IEC61558-2-16
EMC -	EN62104-3:2000, FCC Part (B) Class B

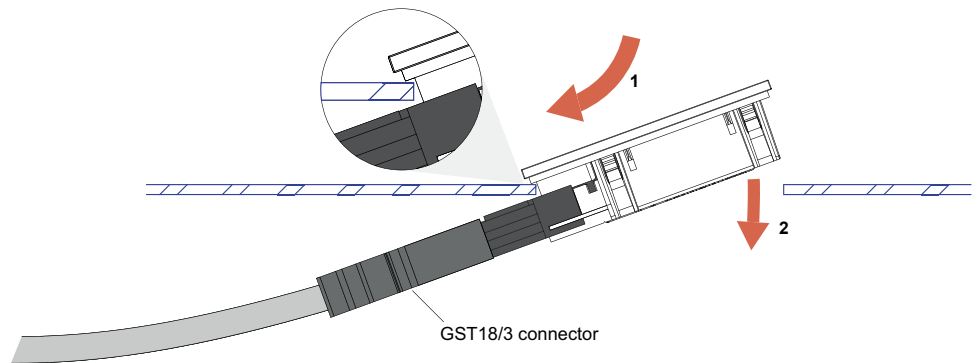
technical

Cutout dimensions (for panels 1-3mm thick)

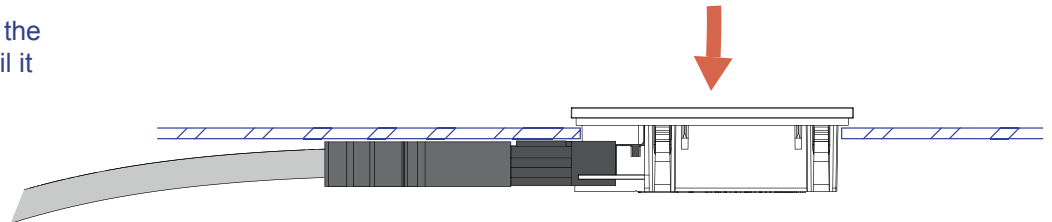


Fitting instructions

Attach power cable to QikFit TUF^{25W} and then feed the power cable into panel, then insert QikFit TUF^{25W} at an angle as shown



Apply equal pressure across the front of the QikFit TUF^{25W} until it clicks into place



Alternatively, if rear access is available QikFit TUF^{25W} can be fitted into the panel first (as above), and then the GST18i3 cable attached afterwards.

