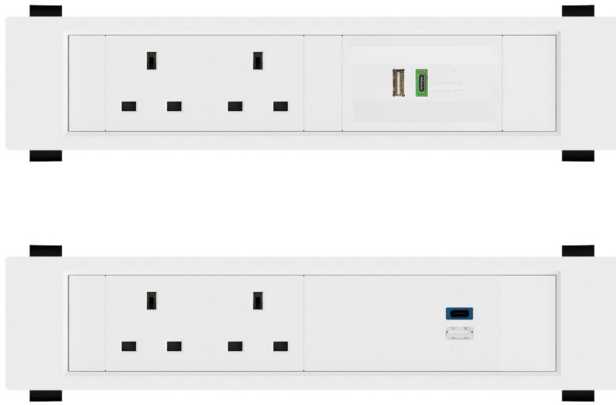


thick panel frame



The QikFIT Thick Panel Frame has been designed to accommodate QikFIT power, data and AV modules, mounted into a screen or other surfaces from 3mm to 14mm thick.

The sleek and easy to install frame comes in white, black or grey and offers a range of configuration options to suit every workspace.

The QikFIT Thick Panel Frame is supplied complete with integrated fixing clips for quick tool-less installation into pre-cut panels without the need for fixing screws, making it a cost effective and practical solution.



thick panel frame TECHNICAL

COMMON COMPONENTS



*Wide range of data cutouts and couplers available.

QIKFIT power data and AV modules are designed and intended for commercial use only.

FEATURES

Configuration:

QikFIT Thick Panel Frame can be configured with OE Elsafe QikFIT power, data and AV modules to suit the workspace.

Construction

QikFIT Thick Panel frame is moulded from fire retardant polycarbonate.

Technical

The Thick Panel Frame comprises of three parts:

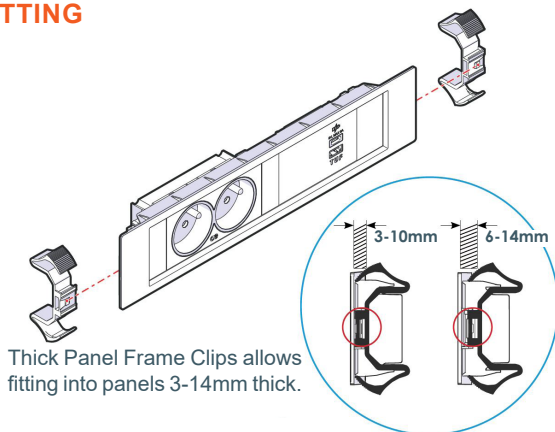
- The polycarbonate frame
- Two frame clips made from Nylon 6/6 to allow them to spring as required.

The clips are able to be adjusted for variations in panels from 3 - 10mm and panels from 6 - 14mm thick.

QIKFIT power, data and AV modules are designed and intended for commercial use only.

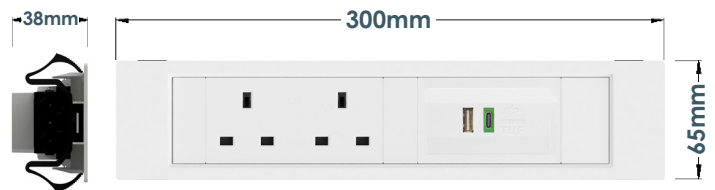
"We test every pin in every socket in every module"

FITTING



Thick Panel Frame Clips allows fitting into panels 3-14mm thick.

OVERALL SIZE:



CUT OUT SIZE:

