

pixel

OE Elsafes' PIXEL unit has been designed to meet demand for a small and aesthetically pleasing power unit to fit neatly into a wide range of furniture. Fitting almost flush into a standard 80mm cut out without the need for tools, PIXEL takes up almost no room at all. You may even forget it's there until you need it.

PIXEL will accept eight+ different plug socket nationalities including UK, Schuko, French, Swiss, Italian and Danish.

PIXEL's unique design complies with BS5733 and the sweeping organic curves ensure protection against liquid ingress as required by BS6396.



USPs

- Stylish organic design
- Ensuring protection against liquid ingress
- Fits into a standard 80mm grommet hole without the need for tools
- Fits into surface thickness 1mm - 40mm
- Available with international power sockets
- BS6396 compliant (where applicable)



technical

Common Modular Components⁺



Features

1 AC power Socket only.

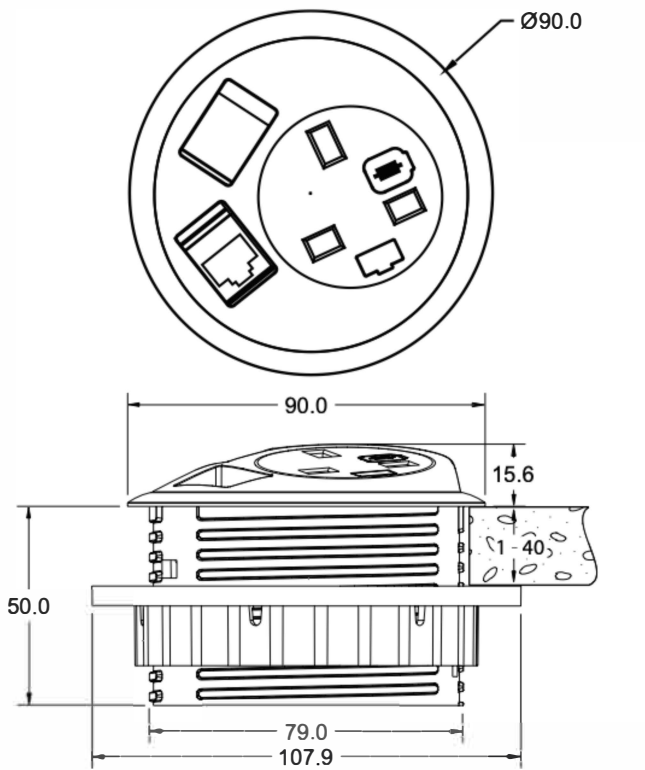
Fusing: (to enable compliance to BS6396)
5 x 20mm anti-surge ceramic fuses, with colour-coded fuseclips to denote the rating (3.15A/5A), with spare fuse in base.

Insulation:
Re-inforced insulation.

Testing:
100% testing - continuity, polarity, insulation & earth.

Colours:
Standard colours black with silver ring or white with silver ring.

Certifications:
UL962A/CSA22.2



All dimensions in millimetres

Fitting:

To fit PIXEL into your desk couldn't be simpler. If your desk already has an industry standard 80mm hole* simply take the fixing nut off your newly purchased PIXEL, feed the cables through the hole and gently slide your PIXEL into place.

Make sure your PIXEL is facing the desired orientation and screw the fixing nut back on until it is firmly in place.

PIXEL will fit any surface from 1mm to 40mm. Please see website for further details and video.