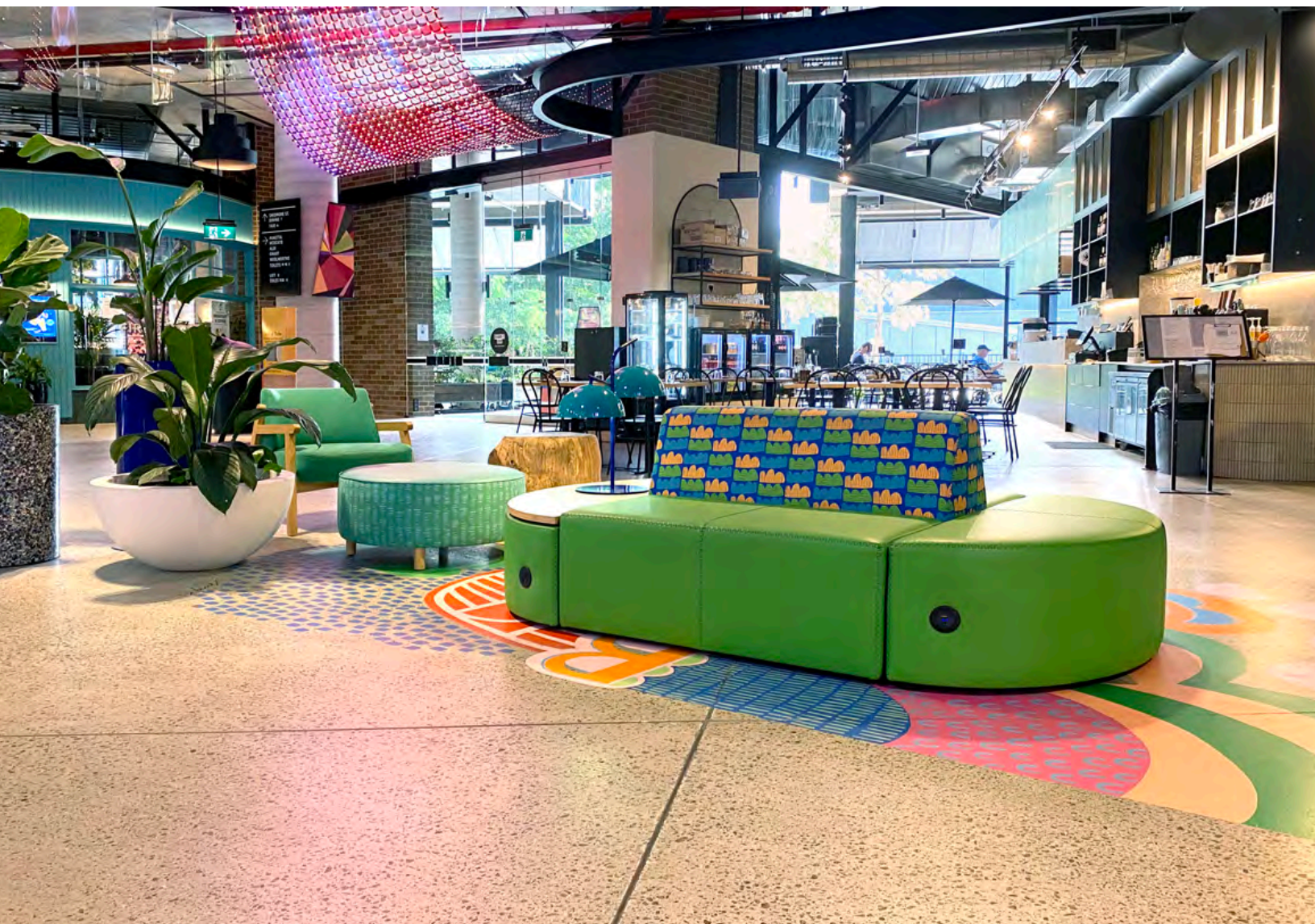


PIP, as the name suggests has been designed to provide convenient AC power and TUF-R USB 'fast-charging' in its purest and simplest form.

PIP presents a single mains AC power or USB charging socket (TUF-R) in a choice of all black or white with a grey socket.

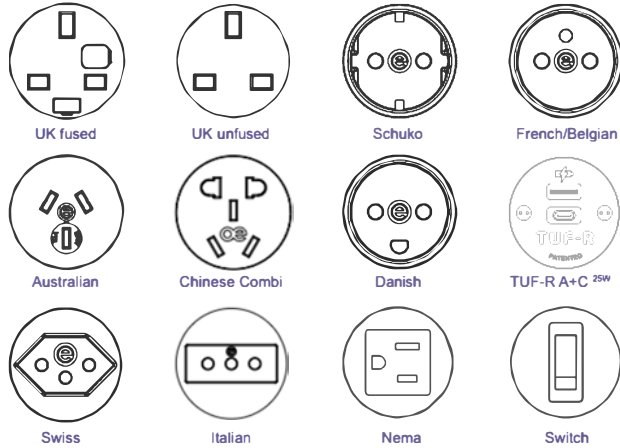
Designed specifically for panel mounting in furniture, PIP fits into a standard 60mm cable grommet opening and requires only 44mm depth. Integrated fixings enable quick installation in most surfaces from 0.9mm to 30mm thick, including panels with limited rear access.

PIP is supplied as a prewired unit with hardwired power cable to national mains plug or GST18 connector, ready for installation. Two or more PIP units can be interlinked to provide combinations of AC power and USB fast charging as is needed by the user.

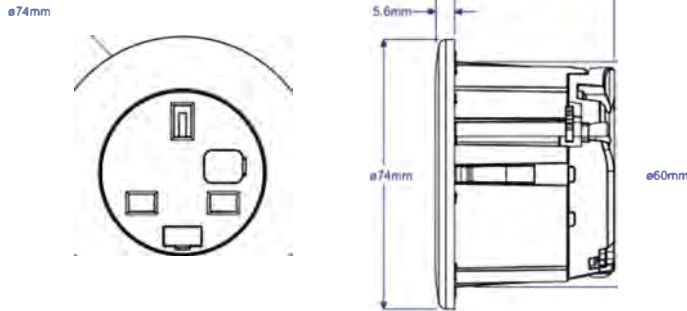


technical

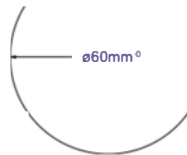
Common Modular Components



Unit Dimensions

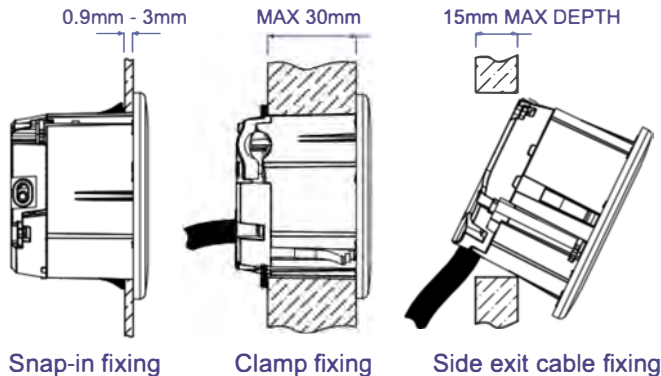


Cutout dimensions



PIP can be installed into a pre-existing industry standard $\varnothing 60\text{mm}$ cutout, or hole can be drilled into surfaces using an appropriate hole saw.

Maximum panel thickness



Snap-in fixing for surfaces 0.9mm - 3mm thick
Clamp fixing for surfaces 0.9mm - 30mm thick

Configuration

Single OE 42mm type AC power socket, or TUF-R A+C USB charging socket, or Single or double data/AV connector

Construction

Socket fascia Polycarbonate
TUF available in Stainless Steel
Body/Back Nylon
Bezel ABS with optional metal inlay

Colours

Socket fascia Black, Grey, White (UK AC & TUF only), or Stainless Steel (TUF only)
Body/Back Black
Bezel Black, grey or white mouldings with optional satin painted finishes and decorative inlays

Earth Bonding

PIP units with AC power sockets can be ordered with an optional external lead for earth bonding metal furniture.

Fusing

To enable compliance to BS6396 UK sockets are fitted with 5 x 20mm anti-surge ceramic fuses, with colour-coded fuse clips to denote the rating (3.15A/5A)

Quality & Testing

All PIP units are manufactured using ISO9001 quality controlled components and practices and are 100% tested before dispatch.

Visual: Configuration and appearance.

Power sockets: Continuity, polarity, insulation & earth

USB charger: Output voltage and resistance

"We test every pin in every socket in every module"

Power cord options

PIP may be ordered with:

Hardwired power cord to AC plug

Hardwired power cord to GST18i3

Hardwired power cord to OE J coupler

CE marking

All units built with UK and European socket types are CE marked by OE Electrics as complying with:

Electromagnetic Compatibility Directive 2014/30/EU

Low Voltage Equipment Directive 2014/35/EU

RoHS2 Directive 2011/65/EU

Certifications

PIP has been designed and is manufactured to comply with applicable national/international safety and EMC standards for the country of intended use, utilising fully certified components.